

BLUMOTION



Perfection in motion

BLUMOTION for TANDEMBOX

 **blum**[®]

BLUMOTION

The perfect addition to TANDEMBOX

An innovation

BLUMOTION — a unique system for smooth and silent closing — is a solution from Blum that takes function to new heights. Let your customers be inspired.

Experience BLUMOTION

By combining **BLUMOTION** with the smooth-running action of **TANDEMBOX**, Blum has redefined the standards of drawer movement.

Silent and effortless

With just a light touch, **TANDEMBOX** drawers with **BLUMOTION** close smoothly and silently even when they are fully loaded.

Added value

BLUMOTION lets you provide your customers with something truly special that will perform perfectly for the lifetime of the drawer.

BLUMOTION



inside

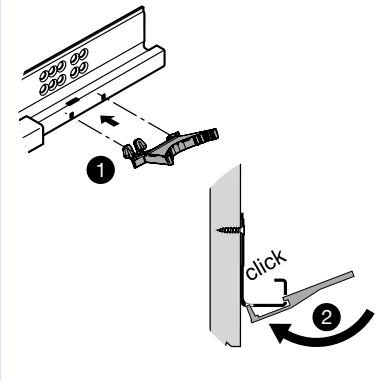
 **blum**[®]

Simple assembly

BLUMOTION is quick and easy to assemble using Blum assembly devices (drilling and marking template and MINIPRESS).

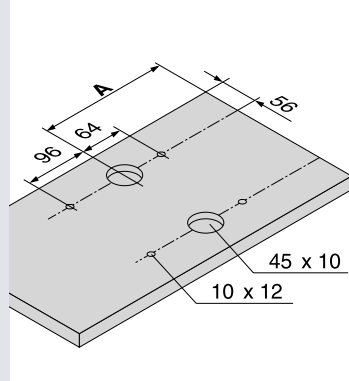
BLUMOTION In three easy steps

1 Attach triggers



Symmetrical triggers attach to the cut-out locations in the cabinet profiles.

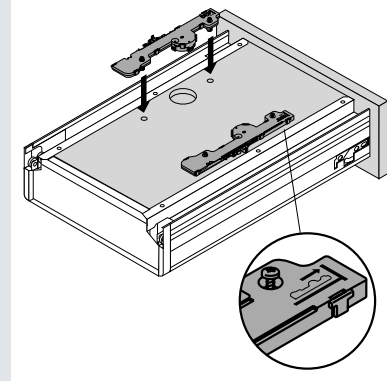
2 Prepare drawer bottom



Above boring pattern is used to prepare the drawer bottom to accept the BLUMOTION housings.

Runner length		A
270mm	(11")	91.5mm
350mm	(14")	133mm
400mm	(16")	155mm
450mm	(18")	155mm
500mm	(20")	198mm
550mm	(22")	198mm

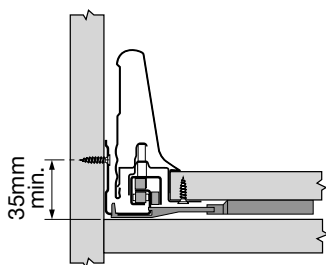
3 Attach BLUMOTION housing



BLUMOTION housings fit into the drilled holes and are secured with EXPANDO dowels. The housings are marked right (R) or left (L) and have arrows pointing to the front of the drawer. Insert the drawer into the cabinet until it is completely closed.

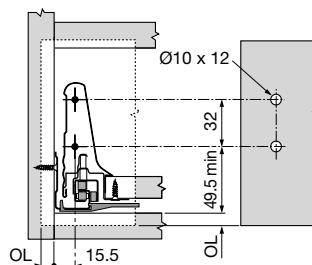
Note: TANDEMBOX sides must be attached with #6 flat-head wood screws.

Mounting position of cabinet profile



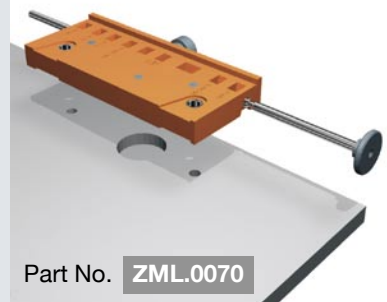
Mount the cabinet profile 35mm from the bottom of the cabinet.

Drilling location of drawer fronts



Use the above boring pattern to locate holes for front fixing brackets.

Useful aids



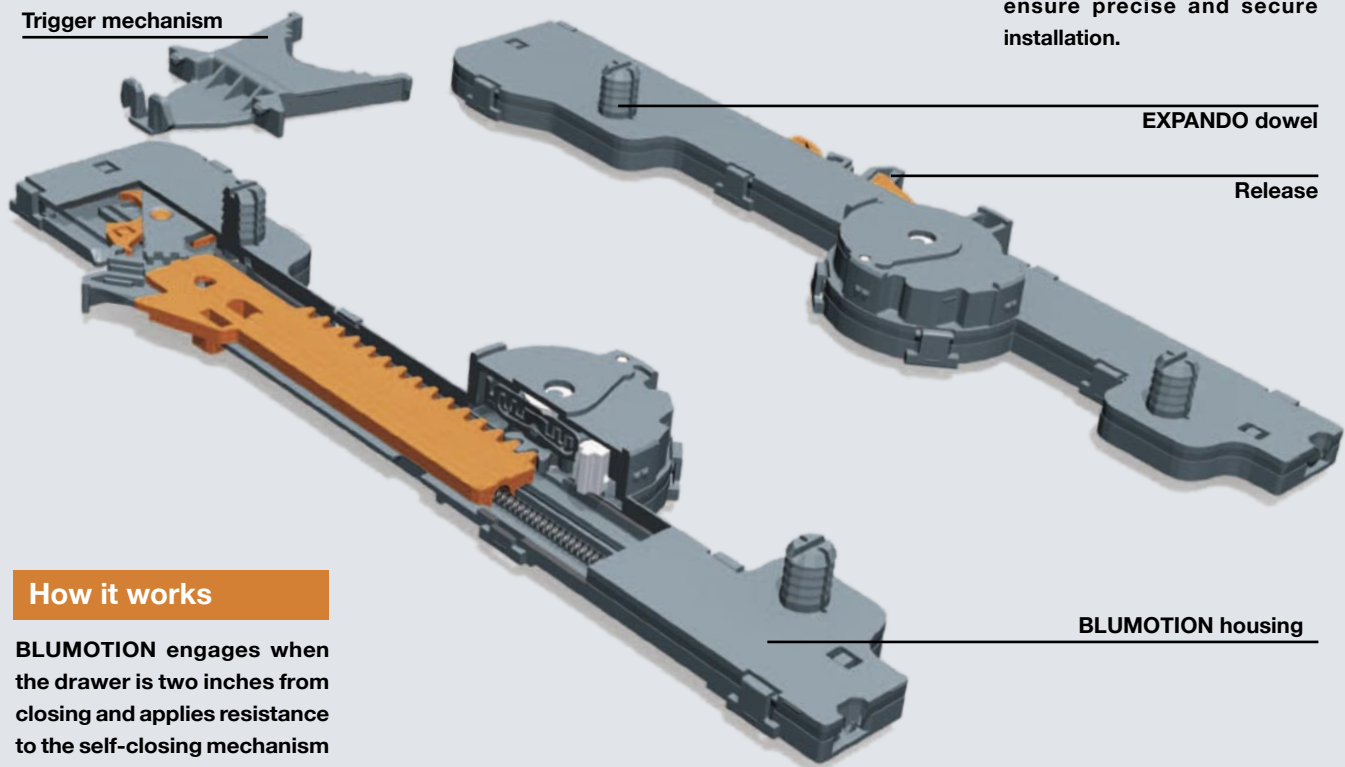
For quick assembly we recommend the use of our MINIPRESS or drilling template. Jigs to insert and remove triggers are also available.

BLUMOTION

Quick and simple . . .

EXPANDO dowels

Just a few turns of the screw are needed. EXPANDO dowels ensure precise and secure installation.



How it works

BLUMOTION engages when the drawer is two inches from closing and applies resistance to the self-closing mechanism on the runner. The result is a soft, controlled closing.

Order specification:

Part No.



For TANDEMBOX 358 Series (up to 75 lb load)

Z70.31E0.02

1 set contains: 2 BLUMOTION housings (right and left) and 2 trigger mechanisms

Assembly devices:

Drill bits for drawer bottom preparation:

Drilling and marking template
(Part No. ZML.0070)

MINIPRESS
7 spindle drilling head
(Part No. MZK.1000)

45 mm, right	●		M01.ZB45.02
10 mm twist bit	●		DB-10MM
45 mm, left		●	M01.ZB45.03
10 mm, right		2 x ●	M01.ZB10.02
10 mm, left		2 x ●	M01.ZB10.03

Information is also available on these other Blum products:

- Blum Angled hinge program
- COMPACT concealed hinges for frame cabinets
- Concealed hinges: INSERTA, CLIP top, CLIP and MODUL
- Machine and assembly aids
- METABOX drawer system
- ORGA-LINE drawer dividing system
- POCKET DOOR hardware
- STANDARD drawer runners
- SOLO concealed runners
- TANDEM concealed runners
- TANDEMBOX drawer system

Julius Blum, Inc.
7733 Old Plank Rd.
Stanley, NC 28164
toll free 800-438-6788
local 704-827-1345
fax 704-827-0799
internet www.blum.com



The ultimate hardware system

